

Product Description

TREMstop® Acrylic is a gunnable acrylic latex sealant designed for use in firestop applications, including both joints and through-penetrations.

Basic Uses

TREMstop Acrylic is for use on metal pipe, plastic pipe, insulated pipe, cables, cable trays, ducts, static joints and dynamic joints in fire-rated concrete, wood floor/ceiling and gypsum wall assemblies. TREMstop Acrylic can also be used on acoustically rated assemblies.

Features and Benefits

- TREMstop Acrylic is an easy to apply, all-purpose sealant that accepts paint once fully cured. It features excellent movement and superb unprimed adhesion to a wide range of substrates.
- When installed in accordance with a tested firestop system, it affords code compliance for both through-penetrations and fire-rated joints.

Availability

Immediately available from your local Tremco Field Representative, Tremco Distributor or Tremco Warehouse.

Coverage Rates

308' of joint per gallon for a 1/4" x 1/4" (6 mm x 6 mm) joint. For specific coverage rates that include joint size, and usage efficiencies, visit our website usage calculator at www.tremcosealants.com

Packaging

10.1-oz (300-mL) cartridge, 20-oz (600-mL) sausage, 28.7-oz (850-mL) quart cartridge, 5-gal (19-L) pail

Colors

Rust Red, Limestone. Custom colors available upon request.

Shelf Life

1 year when stored at 40 to 110 °F (5 to 43 °C)

Storage

Store TREMstop Acrylic in original, undamaged packaging in a clean, dry, protected location with temperatures between 40 to 110 °F (5 to 43 °C).

Applicable Standards

- UL 1479 (ASTM E-814)
- UL 263 (ASTM E-119)
- UL 723 (ASTM E-84)
- UL 2079 (ASTM E-1966)
- ASTM E1399
- ASTM E90

- CAN/ULC-S115
- CAN/ULC-S101M

Fire Rated

Available at: <http://www.tremcosealants.com/technical-resources/fire-systems.aspx>

Limitations

- Not recommended for use with passive fire containment systems not listed or approved by Tremco.

Joint Description

Mineral wool, closed cell, or reticulated polyethylene backer rod is recommended as joint backing to control sealant depth and insure intimate contact of sealant with cavity wall when tooling. Certain types of backing material may be required by system. For additional information on firestop system components, please visit www.tremcosealants.com/commercial/firestop.

Sealant Dimensions

Consult Tremco passive fire protection system listed or approved by Tremco

Cure Time

At 77 °F (25 °C), 50% RH, TREMstop Acrylic is tack free in 30 to 60 minutes and dries at a rate of about 1/8" per day. As the temperatures decrease, the dry time of TREMstop Acrylic will increase, generally one additional day for every 10 °F decrease in temperature.

Clean Up

Excess sealant and smears can be cleaned up or removed with soapy water before sealant skins. Any utensils used for tooling can also be cleaned with soapy water.

Warranty

Tremco warrants its Products to be free of defects in materials, but makes no warranty as to appearance or color. Since methods of application and on-site conditions are beyond our control and can affect performance, Tremco makes no other warranty, expressed or implied including warranties of MERCHANTABILITY and FITNESS FOR A PARTICULAR PURPOSE, with respect to Tremco Products. Tremco's sole obligation shall be, at its option, to replace, or refund the purchase price of the quantity of Tremco Products proven to be defective and Tremco shall not be liable for any loss or damage.

Please refer to our website at www.tremcosealants.com for the most up-to-date Product Data Sheets.

NOTE: All Tremco Safety Data Sheets (SDS) are in alignment with the Globally Harmonized System of Classification and Labelling of Chemicals (GHS) requirements.

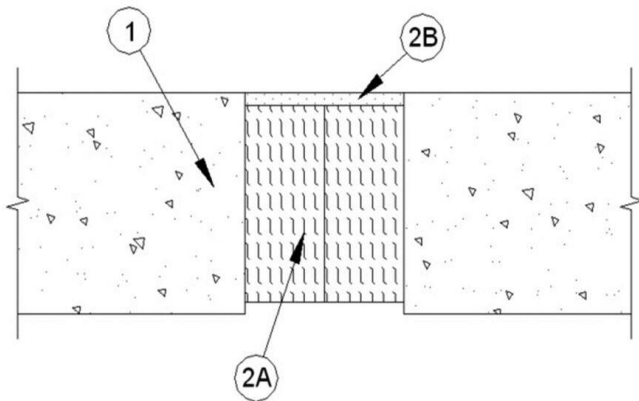
TYPICAL PHYSICAL PROPERTIES

PROPERTY	TEST METHOD	TYPICAL VALUES
Type		Single component Acrylic Latex sealant
Color		Rust Red, White, Limestone.
Solids		65%
Specific Gravity		1.04
Application		gun-grade sealant, applied with typical caulking equipment
VOC Content		35 g/L
Flame Spread	ASTM E84	15
Smoke Development	ASTM E84	0
Density		1.04
Movement Capability	ASTM C719 UL2079; class I, II, III	+/- 33%
Peel Strength	ASTM C794	15 to 25; substrate dependent
pH		7 to 9

Commonly Used Tremco Systems

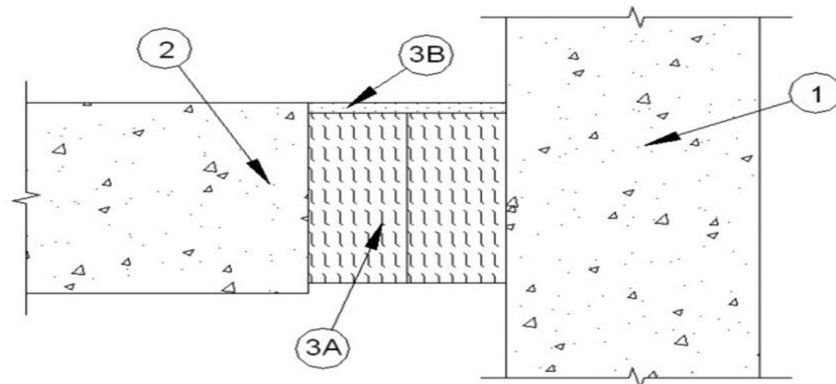
System No. FF-D-1085

August 19, 2008
 Assembly Rating – 2 Hr
 L Rating at Ambient – Less than 1 CFM/Lin. Ft.
 L Rating at 400° F – Less than 1 CFM/Lin. Ft.
 Nominal Joint Width – 3 In.
 Class II Movement Capabilities – 33% Compression and Extension
 (UL/cUL)



System No. FW-D-1069

August 19, 2008
 Assembly Rating – 2 Hr
 L Rating at Ambient – Less than 1 CFM/Lin. Ft.
 L Rating at 400° F – Less than 1 CFM/Lin. Ft.
 Nominal Joint Width – 3 In.
 Class II Movement Capabilities – 33% Compression and Extension
 (UL/cUL)



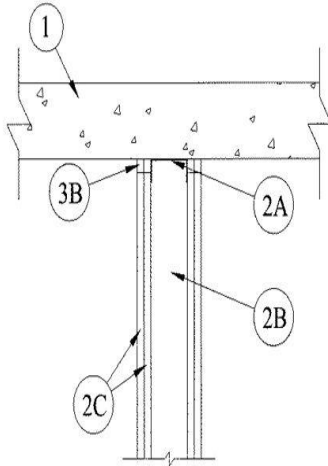
System No. HW-D-0016

July 22, 2005

Assembly Ratings – 1 and 2 Hr (See Item 2)

Nominal Joint Width – 1 In.

Class II and III Movement Capabilities – 25% Compression (See Item 2)
(UL/cUL)



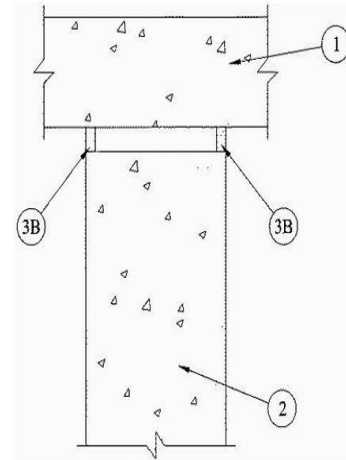
System No. HW-D-0017

March 12, 2004

Assembly Rating – 2 Hr

Nominal Joint Width – 1 In.

Class II and III Movement Capabilities – 25% Compression
(UL/cUL)



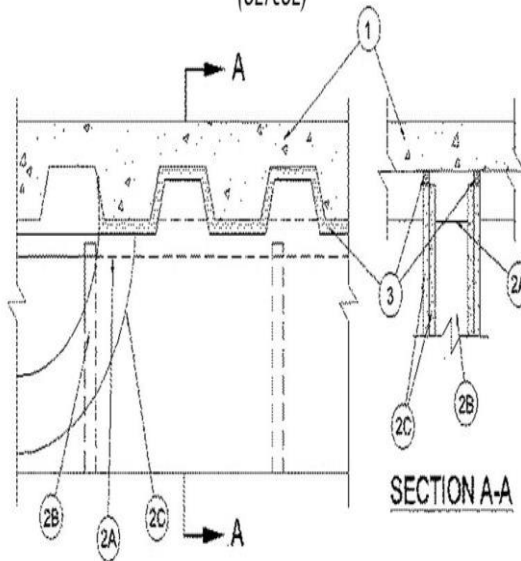
System No. HW-D-0256

September 13, 2006

Assembly Ratings - 1 and 2 hr (See Items 2 and 3)

Nominal Joint Width - 1/2 in.

Class II and III movement capabilities -
25 % compression or extension (See Items 2 and 3)
(UL/cUL)



System No. HW-D-1072

August 19, 2008

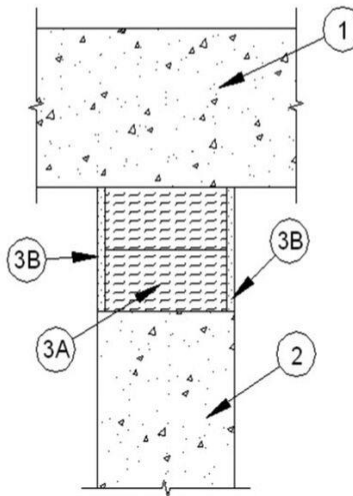
Assembly Rating – 2 Hr

L Rating at Ambient – Less than 1 CFM/Lin. Ft.

L Rating at 400° F – Less than 1 CFM/Lin. Ft.

Nominal Joint Width – 3 In.

Class II Movement Capabilities – 33% Compression and Extension
(UL/cUL)



System No. WW-D-1077

August 19, 2008

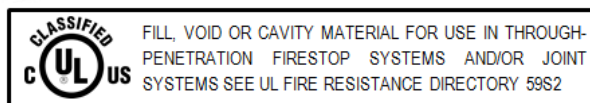
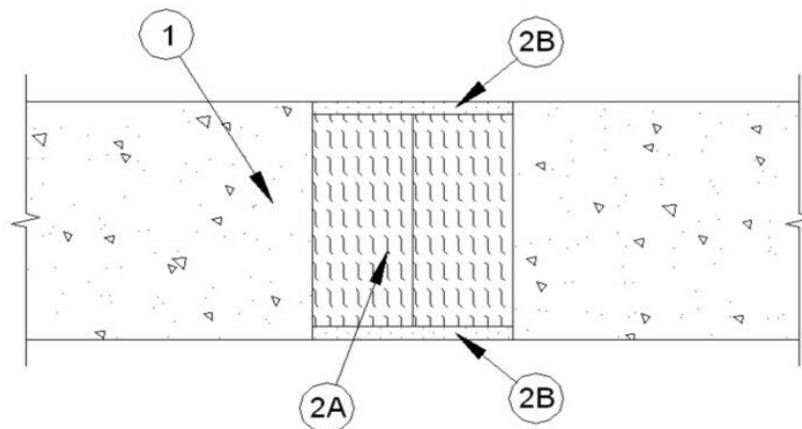
Assembly Rating – 2 Hr

L Rating at Ambient – Less than 1 CFM/Lin. Ft.

L Rating at 400° F – Less than 1 CFM/Lin. Ft.

Nominal Joint Width – 3 In.

Class II Movement Capabilities – 33% Compression and Extension
(UL/cUL)



0518/TSAPDSDS-ST

Tremco Commercial Sealants & Waterproofing

3735 Green Rd
Beachwood OH 44122
216.292.5000 / 800.321.7906

1451 Jacobson Ave
Ashland OH 44805
419.289.2050 / 800.321.6357

220 Wicksteed Ave
Toronto ON M4H1G7
416.421.3300 / 800.363.3213

1445 Rue de Coulomb
Boucherville QC J4B 7L8
514.521.9555

www.tremcosealants.com